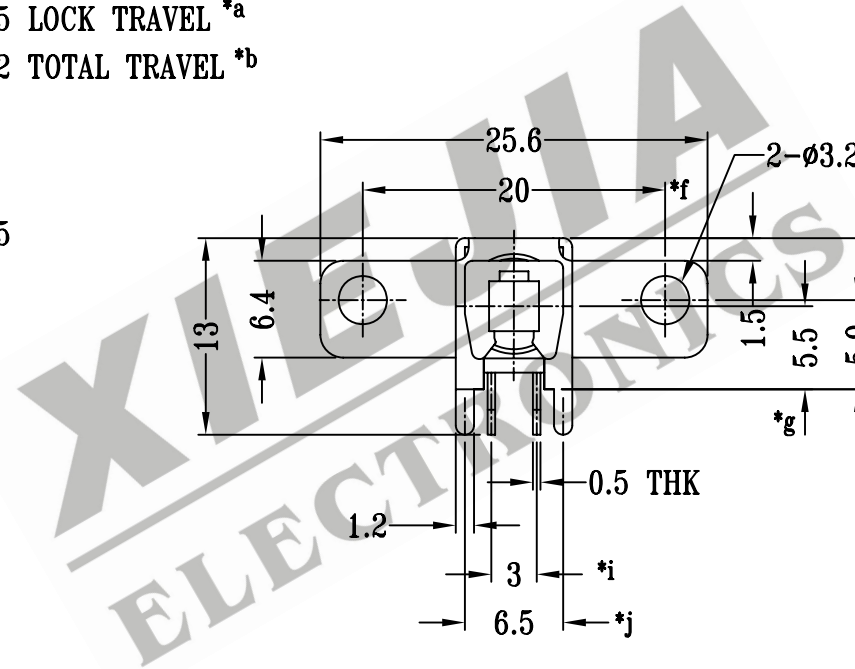
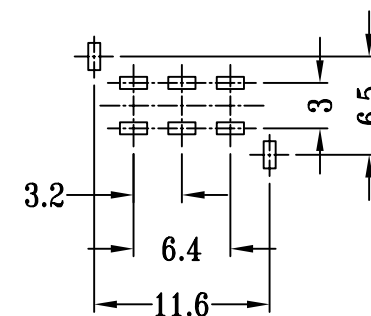
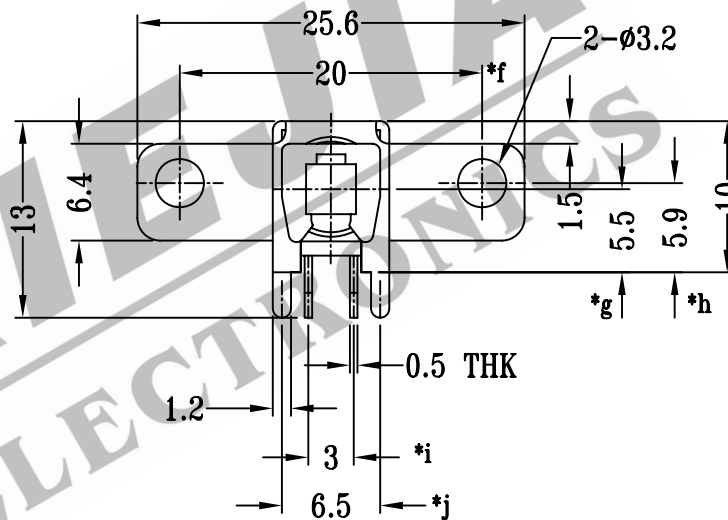
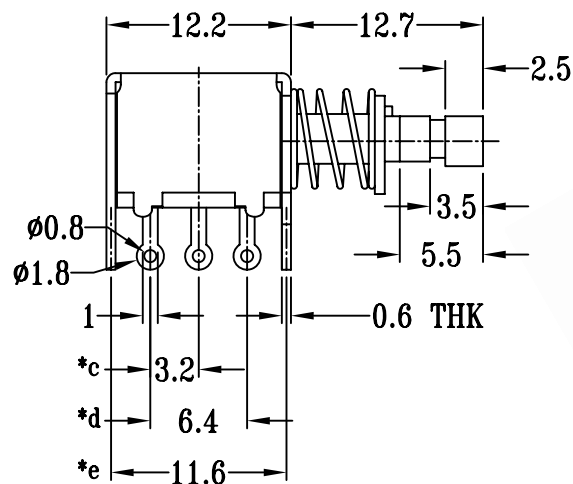
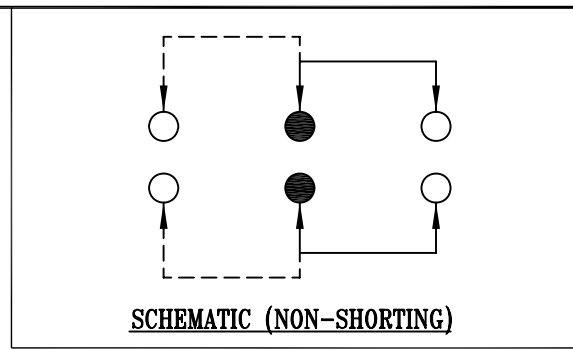
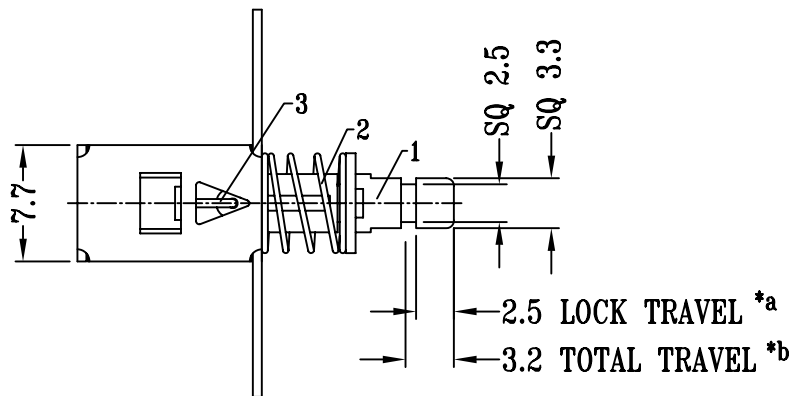


CAD FILE:



注:带"*"表示关键尺寸(10个)

9	CONTACT CLIP	PBS STRIP	2	Ag PLATED	TOLERANCE UNLESS SPECIFIED	SHENZHEN XIEJIA ELECTRONICS CO.,LTD.				
8	BLOCK	STEEL STRIP	1	Ni PLATED						
7	TERMINAL	BRASS STRIP	6	Ag PLATED OVER Ni PLATED	WITHIN: 1.5±0.1mm OVER: 1.5±0.2mm	ISSUE	DATE	DESCRIPTIONS OF REVISION		APPD.
6	BASE	PHENOLIC RESIN	1	NATURAL		TITLE : PUSH SWITCH	UNIT : mm	DRWG NO.: XJ-DR-PS22F26-00		
5	FRAME	STEEL STRIP	1	Ni PLATED	MODEL: PS-22F26 (LOCKED)	SCALE: 2 : 1	DWN.	ZHOUYU	2006-7-10	
4	SPRING PLATE	PBS STRIP	1	NATURAL	ALL MATERIALS MUST BE COMPLIANT TO ROHS	APPD.	CHK'D	FANGYING	2006-7-10	
3	LOCK NEEDLE	PBS WIRE	1	NATURAL			KANGXINAN	2006-7-10		
2	SPRING	STEEL WIRE	1	Ni PLATED						
1	KNOB	POM	1	BLACK						
NO.	PARTS	MATERIALS	Q'TY	FINISH						